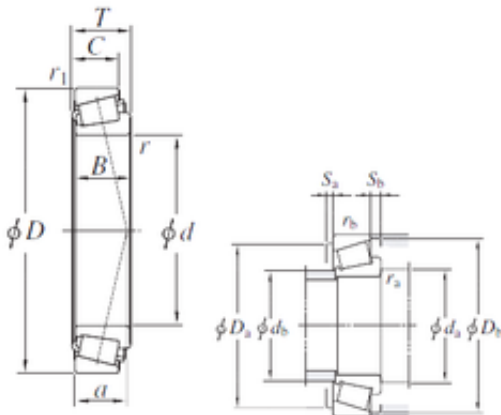




# Jinan LBR Bearing Co., Ltd.

149,225 mm x 236,538 mm x 56,642 mm KOYO  
HM231149/HM231110 tapered roller bearings

Bearing No. HM231149/HM231110



HM231149/HM231110 Bearing 2D drawings and 3D  
CAD models

Size	149.225x236.538x57.15 mm
Bore Diameter	149,225 mm
Outer Diameter	236,538 mm
Width	57,15 mm
d	149,225 mm
D	236,538 mm
T	57,15 mm
B	56,642 mm
C	44,45 mm
a	45,2 mm
r min.	3,6 mm
r1 min.	3,2 mm
da min.	162 mm
Da min	213 mm
Da max.	225 mm
db max.	168 mm
ra max.	3,6 mm
rb max.	3,2 mm
Db	222 mm
Weight	9,13 Kg
Basic dynamic load rating (C)	499 kN
Basic static load rating (C0)	832 kN
Calculation factor (e)	0,32
Calculation factor (Y0)	1,04