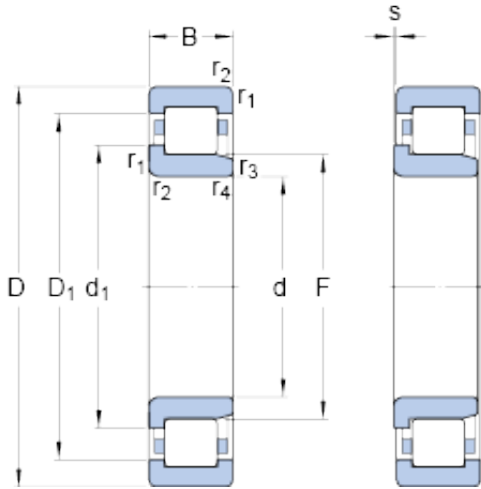




Jinan LBR Bearing Co., Ltd.



160 mm x 340 mm x 114 mm SKF NJ 2332 ECML thrust ball bearings

Bearing No. NJ 2332 ECML

Size	340x160x114 mm
Bore Diameter	340 mm
Outer Diameter	160 mm
Width	114 mm
d	160 mm
D	340 mm
B	114 mm
d ₁	221 mm
D ₁	286 mm
F	204 mm
r _{1,2} - min.	4 mm
r _{3,4} - min.	4 mm
s	11 mm
d _a - min.	177 mm
d _a - max.	199 mm
d _b - min.	225 mm
D _a - max.	321.9 mm
r _a - max.	3 mm
Basic dynamic load rating - C	1250 kN
Basic static load rating - C ₀	1730 kN
Fatigue load limit - P _u	173 kN
Reference speed	1800 r/min
Limiting speed	3600 r/min
Calculation factor - k _r	0.38

NJ 2332 ECML Bearing 2D drawings and 3D CAD models



Jinan LBR Bearing Co., Ltd.

Category	Bearings
Inventory	0.0
Manufacturer Name	SKF
Minimum Buy Quantity	N/A
UNSPSC	31171547
Weight / Kilogram	0
EAN	7316574923533
Product Group	B04144
d_1	221 mm
D_1	286 mm
$r_{1,2}$ min.	4 mm
$r_{3,4}$ min.	4 mm
s max.	11 mm
d_a min.	177 mm
d_a max.	199 mm
d_b min.	225 mm
D_a max.	321.9 mm
r_a max.	3 mm
Basic dynamic load rating C	1250 kN
Basic static load rating C_0	1730 kN
Fatigue load limit P_u	173 kN
Calculation factor k_r	0.38
Limiting value e	0.3
Axial load factor Y	0.4
Mass bearing	50.7 kg